

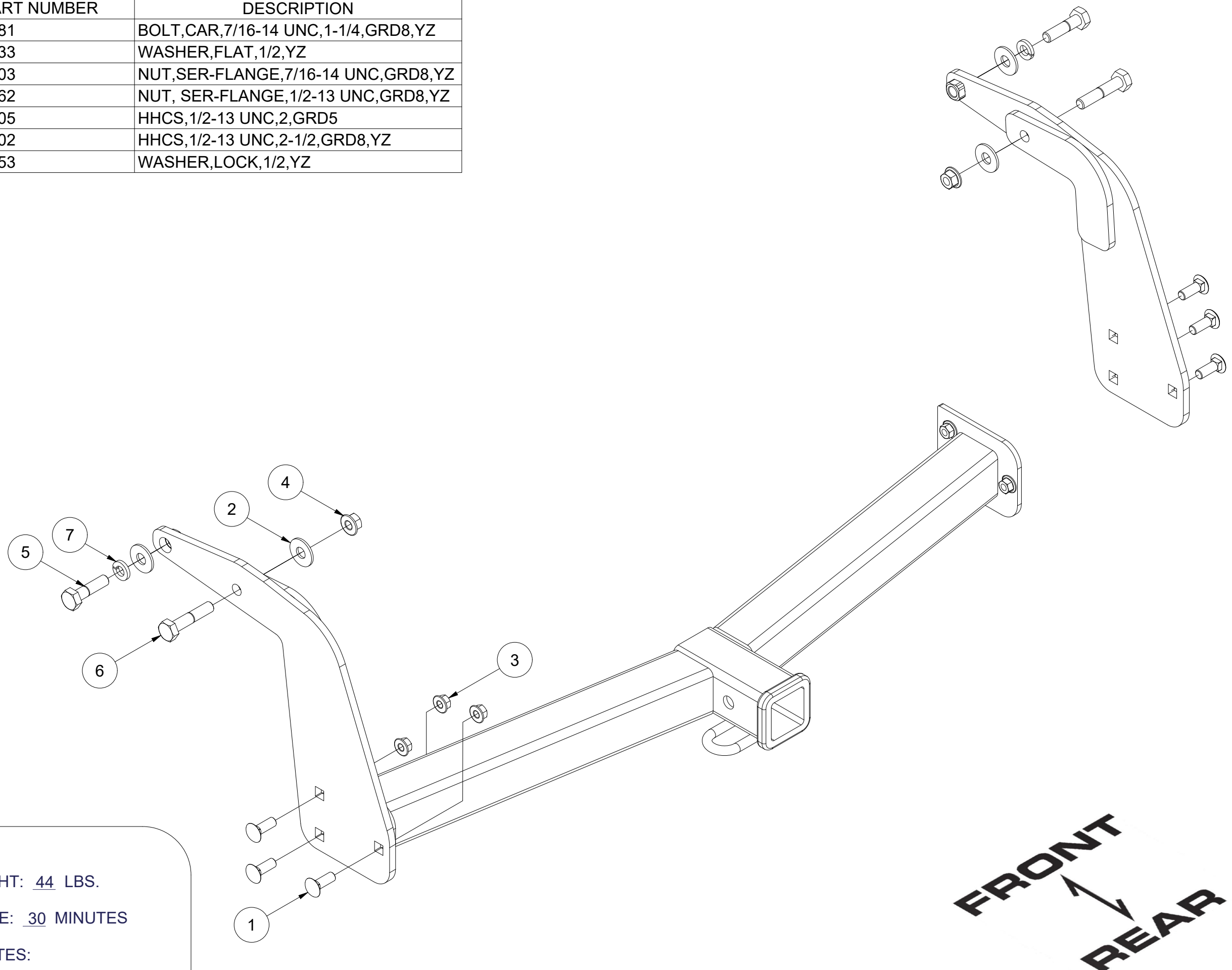
13094 92-95 TOYOTA 4RUNNER (W/ 31.5" TIRES)

4/20/2021

GROSS LOAD CAPACITY WHEN USED AS A WEIGHT CARRYING HITCH: 5,000 LBS. TRAILER WEIGHT & 500 LBS. TONGUE WEIGHT.
GROSS LOAD CAPACITY WHEN USED AS A WEIGHT DISTRIBUTION HITCH: 6,000 LBS. TRAILER WEIGHT & 600 LBS. TONGUE WEIGHT

*****DO NOT EXCEED VEHICLE MANUFACTURER'S RECOMMENDED TOWING CAPACITY.*****

Parts List			
ITEM	QTY	PART NUMBER	DESCRIPTION
1	6	10-10281	BOLT,CAR,7/16-14 UNC,1-1/4,GRD8,YZ
2	4	30-00133	WASHER,FLAT,1/2,YZ
3	6	20-00103	NUT,SER-FLANGE,7/16-14 UNC,GRD8,YZ
4	2	20-00062	NUT, SER-FLANGE,1/2-13 UNC,GRD8,YZ
5	2	10-10605	HHCS,1/2-13 UNC,2,GRD5
6	2	10-10402	HHCS,1/2-13 UNC,2-1/2,GRD8,YZ
7	2	30-00153	WASHER,LOCK,1/2,YZ



HITCH WEIGHT: 44 LBS.

INSTALL TIME: 30 MINUTES

INSTALL NOTES:

NO DRILLING REQUIRED

INSTALLATION STEPS

- 1) FOR EASE OF INSTALLATION REMOVE THE SPARE TIRE FROM THE CARRIER.
- 2) POSITION THE DRIVER'S SIDE MOUNTING PLATE IN THE OPEN PORTION OF THE FRAME RAIL. THE WELD NUT SHOULD BE TOWARD THE CENTER OF THE VEHICLE.
(For ease of installation, tilt the mounting plate at 45 degrees when positioning in frame.)
- 3) HOLD THE MOUNTING PLATE IN PLACE AND INSTALL A 2" HEX BOLT WITH LOCK AND FLATWASHER FROM THE OUTSIDE OF THE FRAME TO THE WELD NUT ON THE MOUNTING PLATE.
- 4) REPEAT STEPS ONE AND TWO FOR THE PASSENGER SIDE MOUNTING PLATE.
- 5) BEFORE TIGHTENING THE FRAME BOLTS RAISE THE CROSS MEMBER TO THE MOUNTING PLATES AND INSTALL THE HARDWARE AS SHOWN.
- 6) TORQUE THE 1/2" X 2" HEX BOLTS TO 75 FT-LBS. TORQUE THE 1/2" X 2 1/2" HEX BOLTS TO 110 FT/LBS.
TORQUE THE 7/16" HARDWARE TO 70 FT/LBS.
- 7) RETURN THE SPARE TIRE TO ITS PROPER LOCATION.

PERIODICALLY CHECK THIS RECEIVER HITCH TO ENSURE THAT ALL FASTENERS ARE TIGHT AND THAT ALL STRUCTURAL COMPONENTS ARE SOUND.

Curt Manufacturing Inc., warrants this product to be free of defects in material and/or workmanship at the time of retail purchase by the original purchaser. If the product is found to be defective, Curt Manufacturing Inc., may repair or replace the product, at their option, when the product is returned, prepaid, with proof of purchase. Alteration to, misuse of, or improper installation of this product voids the warranty. Curt Manufacturing Inc.'s liability is limited to repair or replacement of products found to be defective, and specifically excludes liability for incidental or consequential loss or damage.

6/24/2020